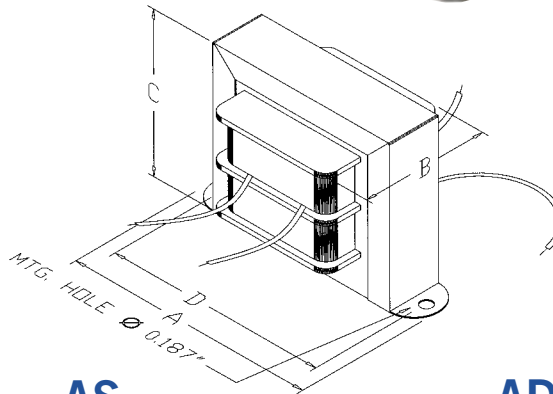


OPEN STYLE - CHANNEL MOUNTING

Primary		Size VA	Secondary (RMS)
AS Cat. No 115V 60Hz single (5 LW)	AD Cat. No 115/230V 50/60Hz dual (7 LW)		
AS10E1	AD10E1	3	10 Vct @ .30 A
AS10F1	AD10F1	6	10 Vct @ .60 A
AS10G1	AD10G1	12	10 Vct @ 1.20 A
AS10H1	AD10H1	25	10 Vct @ 2.50 A
AS10K1	AD10K1	40	10 Vct @ 4.00 A
AS10L1	AD10L1	56	10 Vct @ 5.60 A
AS10M1	AD10M1	70	10 Vct @ 7.00 A
AS12E1	AD12E1	3	12.6 Vct @ .23 A
AS12F1	AD12F1	6	12.6 Vct @ .47 A
AS12G1	AD12G1	12	12.6 Vct @ .95 A
AS12H1	AD12H1	25	12.6 Vct @ 1.98 A
AS12K1	AD12K1	40	12.6 Vct @ 3.17 A
AS12L1	AD12L1	56	12.6 Vct @ 4.44 A
AS12M1	AD12M1	70	12.6 Vct @ 5.55 A
AS16E1	AD16E1	3	16 Vct @ .18 A
AS16F1	AD16F1	6	16 Vct @ .37 A
AS16G1	AD16G1	12	16 Vct @ .75 A
AS16H1	AD16H1	25	16 Vct @ 1.56 A
AS16K1	AD16K1	40	16 Vct @ 2.50 A
AS16L1	AD16L1	56	16 Vct @ 3.50 A
AS16M1	AD16M1	70	16 Vct @ 4.37 A
AS20E1	AD20E1	3	20 Vct @ .15 A
AS20F1	AD20F1	6	20 Vct @ .30 A
AS20G1	AD20G1	12	20 Vct @ .60 A
AS20H1	AD20H1	25	20 Vct @ 1.25 A
AS20K1	AD20K1	40	20 Vct @ 2.00 A
AS20L1	AD20L1	56	20 Vct @ 2.80 A
AS20M1	AD20M1	70	20 Vct @ 3.50 A
AS24E1	AD24E1	3	24 Vct @ .12 A
AS24F1	AD24F1	6	24 Vct @ .25 A
AS24G1	AD24G1	12	24 Vct @ .50 A
AS24H1	AD24H1	25	24 Vct @ 1.04 A
AS24K1	AD24K1	40	24 Vct @ 1.66 A
AS24L1	AD24L1	56	24 Vct @ 2.33 A
AS24M1	AD24M1	70	24 Vct @ 2.91 A
AS28E1	AD28E1	3	28 Vct @ .10 A
AS28F1	AD28F1	6	28 Vct @ .21 A
AS28G1	AD28G1	12	28 Vct @ .42 A
AS28H1	AD28H1	25	28 Vct @ .89 A
AS28K1	AD28K1	40	28 Vct @ 1.42 A
AS28L1	AD28L1	56	28 Vct @ 2.00 A
AS28M1	AD28M1	70	28 Vct @ 2.50 A
AS36E1	AD36E1	3	36 Vct @ .08 A
AS36F1	AD36F1	6	36 Vct @ .16 A
AS36G1	AD36G1	12	36 Vct @ .33 A
AS36H1	AD36H1	25	36 Vct @ .69 A
AS36K1	AD36K1	40	36 Vct @ 1.11 A
AS36L1	AD36L1	56	36 Vct @ 1.55 A
AS36M1	AD36M1	70	36 Vct @ 1.94 A
AS48E1	AD48E1	3	48 Vct @ .06 A
AS48F1	AD48F1	6	48 Vct @ .12 A
AS48G1	AD48G1	12	48 Vct @ .25 A
AS48H1	AD48H1	25	48 Vct @ .52 A
AS48K1	AD48K1	40	48 Vct @ .83 A
AS48L1	AD48L1	56	48 Vct @ 1.16 A
AS48M1	AD48M1	70	48 Vct @ 1.45 A
AS56E1	AD56E1	3	56 Vct @ .053 A
AS56F1	AD56F1	6	56 Vct @ .10 A
AS56G1	AD56G1	12	56 Vct @ .21 A
AS56H1	AD56H1	25	56 Vct @ .44 A
AS56K1	AD56K1	40	56 Vct @ .71 A
AS56L1	AD56L1	56	56 Vct @ 1.00 A
AS56M1	AD56M1	70	56 Vct @ 1.25 A
AS120E1	AD120E1	3	120 Vct @ .025 A
AS120F1	AD120F1	6	120 Vct @ .05 A
AS120G1	AD120G1	12	120 Vct @ .10 A
AS120H1	AD120H1	25	120 Vct @ .20 A
AS120K1	AD120K1	40	120 Vct @ .33 A
AS120L1	AD120L1	56	120 Vct @ .46 A
AS120M1	AD120M1	70	120 Vct @ .58 A

- VA size models available from 3 to 70 VA.
- Split bobbin design on most models.
- Single or dual primary voltages.
- Lead wire 8" long.
- Class A insulation – 105 °C.
- CSA approved (LR63462) and UL recognized (E193917).
- Center tapped to secondary winding.
- Other primary and secondary voltages available.
- Vertical mounting also available.

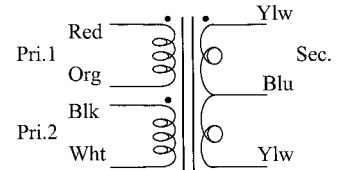
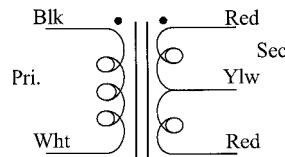


**AS**

Single primary 115V 60Hz

**AD**

Dual primary 115/230V 50/60Hz



VA Size	A	B	C	D	lbs
3	2.06	1.25	1.19	1.75	0.19
6	2.38	1.38	1.38	2.00	0.35
12	2.81	1.55	1.69	2.38	0.58
25	3.25	1.80	2.00	2.81	0.83
40	3.69	2.10	2.26	3.13	1.50
56	4.00	2.37	2.57	3.56	2.20
70	4.00	2.63	2.57	3.56	2.80

All dimensions are in inches