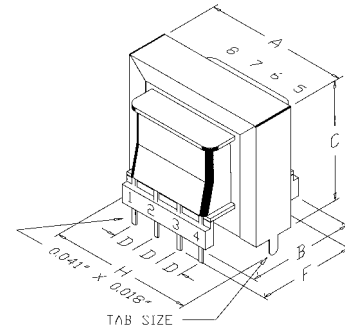
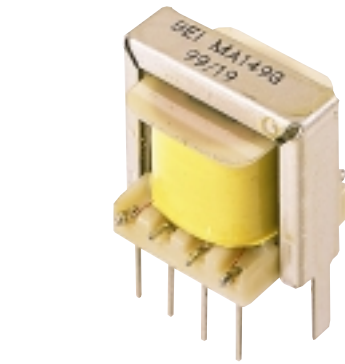


AUDIO MATCHING

- Economical, light weight (@ 1.0 oz).
- Bifilar wound for balanced capacitive and resistance characteristics.
- Frequency response 200 to 15000 Hz (± 1 dB ref.:1 kHz).
- Insertion loss less than 1.5 dB.
- Insulation test 250 Vrms.
- Other values available.

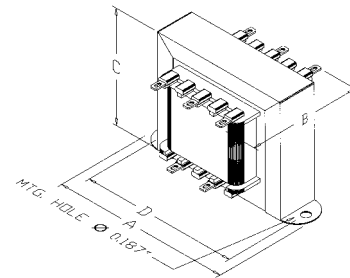
Cat. No.	Application	Nom. Imp.		DCR		Pri. DC mA	Output mW	Volts max.
		Pri.	Sec.	Pri.	Sec.			
MA149C	Driver	160	20/80	24	6.5	56	200	9
MA149E	Driver	300	30/120	41	9.7	42	200	12
MA149F	Driver	450	40/160	52	19.0	33	200	15
MA149G	Driver	600	150/600	92	58.0	29	200	18
MA149H	Driver	1000	60/240	155	24.0	22	200	22
MA149Q	Output	200 ct	3.2	19	0.4	7	1000	11
MA149S	Output	600 ct	150 ct	53	17.0	4	1000	20
MA149T	Output	600 ct	600 ct	53	70.0	4	1000	20
MA149U	Output	150/600	8	53	0.8	4	1000	20
MA149V	Hybrid	600 ct	300/1200	53	63.0	4	1000	20



A = 1.06" F = 0.60"
 B = 0.82" H = 1.03"
 C = 0.82" Tab = 0.03"x0.12"
 D = 0.20"

SPEAKER LINE MATCHING TRANSFORMERS

- 25, 70 or 100 V line input available.
- Output for 3.2, 8, 16 ohms impedance coil.
- Frequency response 100 to 9000 Hz (± 1 dB ref.:1 kHz).
- Insertion loss less than 2.0 dB.
- Std solder lug (suitable for slip on jumper connection 0.110") can also be supplied with 0.187" or 0.250" quick connect.
- Combinations of inputs and outputs are available.



Cat. No.	Line Volts	Power Watts	Power taps Watts	Speaker
MA225E	25	4	4,2,1,1/2,1/4	8.0
MA245D	70	2	2,1,1/2,1/4	8.0
MA245E	70	4	4,2,1,1/2,1/4	8.0
MA245F	70	8	8,4,2,1,1/2	8.0
MA242G	70	16	16,8,4,2,1	3.2
MA245G	70	16	16,8,4,2,1	8.0
MA247G	70	16	16,8,4,2,1	16.0
MA245J	70	32	32,16,8,4,2	8.0
MA265F	100	8	8,4,2,1,1/2	8.0

Power	A	B	C	D	lbs
2	2.38	1.38	1.38	2.00	0.35
4	2.81	1.50	1.69	2.38	0.58
8	3.25	1.75	2.00	2.81	0.83
16	3.69	2.00	2.31	3.13	1.5
32	4.03	2.25	2.63	3.56	2.2

All dimensions are in inches