

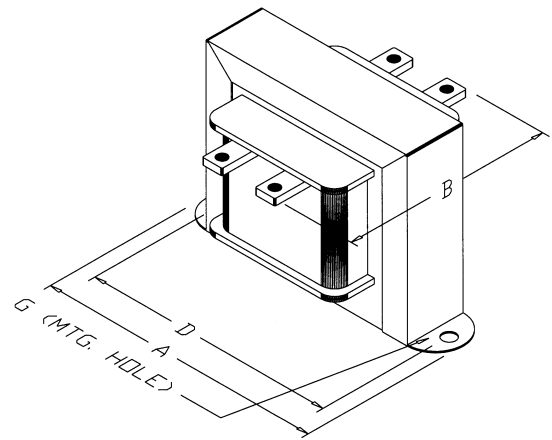
- VA size models available from 25 to 75 VA.
- Economical channel mounting.
- Class B insulation – 130 °C.
- CSA approved (LR63462) and UL listed (E193917).
- Screw type terminals standard.



LISTED
3RA0

VA Size	A	* B	C	D	lbs
25	3.25	2.00	2.00	2.81	1.1
50	3.69	2.30	2.26	3.13	1.7
75	4.00	2.75	2.57	3.56	2.8

All dimensions are in inches* Dimension 'B' includes terminals.



The following table contains the most popular models.

Primary Volts	Secondary Volts	25 VA	50 VA	75 VA
120/240	12/24	B25DR	B50DR	B75DR
	120/240	B25DD	B50DD	B75DD
347	12/24	B25FR	B50FR	B75FR
	120/240	B25FD	B50FD	B75FD
240/480	12/24	B25LR	B50LR	B75LR
	120/240	B25LD	B50LD	B75LD
600	12/24	B25KR	B50KR	B75KR
	120/240	B25KD	B50KD	B75KD

Other primary voltages available.
Other terminations available.