

HORIZONTAL PLATE OR BRACKET MOUNTING

- VA size models available from 100 VA to 5000 VA.
- Class B (130 °C) and F (155 °C) insulation system.
- CSA approved (LR63462) and UL listed (E193917).
- Screw type terminals std on primary and low current secondary.
- Copper tab lug with hole on high current secondary.



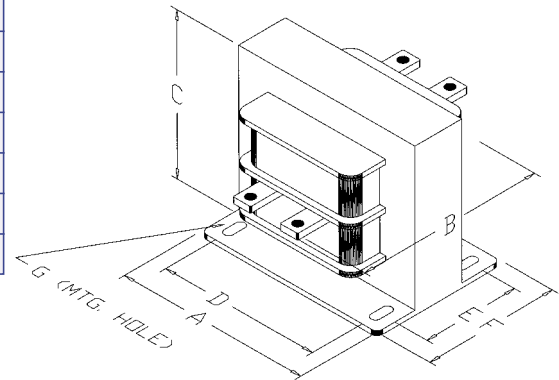
LISTED
3RA0



VA Size	A	* B	C	D	E	F	G	lbs
100	3.75	4.00	3.23	3.13	3.00	3.63	0.221 x 0.375	4.0
150	3.75	4.25	3.23	3.13	3.00	3.63	0.221 x 0.375	5.0
200	3.75	4.75	3.23	3.13	3.00	3.63	0.221 x 0.375	6.3
250	4.50	5.00	3.86	3.75	3.00	4.50	0.221 x 0.375	8.5
350	4.50	6.00	3.86	3.75	3.50	5.00	0.221 x 0.375	13
500	4.50	7.75	3.86	3.75	4.62	5.75	0.281 x 0.625	18
750	5.25	7.75	4.48	4.38	4.50	5.75	0.312 x 0.687	20
1000	5.25	8.75	4.48	4.38	5.50	6.75	0.312 x 0.687	26
1500	7.50	8.50	6.63	6.75	3.75	5.00	0.375 x 0.687	34
2000	7.50	9.50	6.63	6.75	4.75	6.00	0.375 x 0.687	48
3000	9.00	10.00	8.13	7.50	4.00	5.25	0.375 x 0.687	60
5000	9.00	12.50	8.13	7.50	6.00	7.25	0.375 x 0.687	108

All dimensions are in inches

* Dimension 'B' includes terminals.



The following tables contains the most popular models.

Pri. Volts	Sec. Volts	100 VA	150 VA	200 VA	250 VA	350 VA	500 VA
120/240	12/24 120/240	B100DR B100DD	B150DR B150DD	B200DR B200DD	B250DR B250DD	B350DR B350DD	B500DR B500DD
347	12/24 120/240	B100FR B100FD	B150FR B150FD	B200FR B200FD	B250FR B250FD	B350FR B350FD	B500FR B500FD
240/480	12/24 120/240/	B100LR B100LD	B150LR B150LD	B200LR B200LD	B250LR B250LD	B350LR B350LD	B500LR B500LD
600	12/24 120/240	B100KR B100KD	B150KR B150KD	B200KR B200KD	B250KR B250KD	B350KR B350KD	B500KR B500KD
Pri. Volts	Sec. Volts	750 VA	1000 VA	1500 VA	2000 VA	3000 VA	5000 VA
120/240	12/24 120/240	B750DR B750DD	B1000DR B1000DD	B1500DR B1500DD	B2000DR B2000DD	B3000DR B3000DD	B5000DR B5000DD
347	12/24 120/240	B750FR B750FD	B1000FR B1000FD	B1500FR B1500FD	B2000FR B2000FD	B3000FR B3000FD	B5000FR B5000FD
240/480	12/24 120/240	B750LR B750LD	B1000LR B1000LD	B1500LR B1500LD	B2000LR B2000LD	B3000LR B3000LD	B5000LR B5000LD
600	12/24 120/240	B750KR B750KD	B1000KR B1000KD	B1500KR B1500KD	B2000KR B2000KD	B3000KR B3000KD	B5000KR B5000KD

Other primary voltages available.
Other terminations available.
These transformers can be supplied with enclosed mounting.

