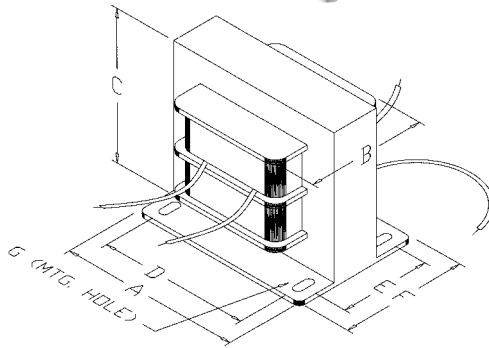
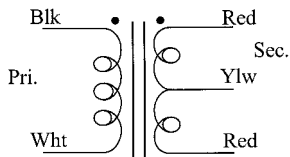


- VA size models available from 50 VA to 5 kVA.
- Single or dual primary voltages.
- Lead wire 8" long up to 1 kVA, copper lug up to 5 kVA.
- Insulation system class B (130 °C) up to 1 kVA, class H (180 °C) up to 5 kVA.

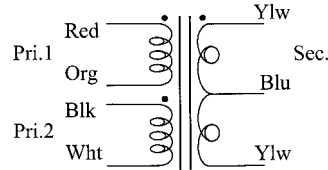
- CSA approved (LR63462) and UL recognized (E193917).
- Center tapped to secondary winding.
- Other primary and secondary voltages available.


**DS**

Single primary 115V 60Hz


**DD**

Dual primary 115/230V 50/60Hz



| Primary                                  |   | Size VA | Secondary (RMS)             |
|--|---|---------|-----------------------------|
| DS Cat. No<br>115V 60Hz<br>single (5 LW) | DD Cat. No<br>115/230V 50/60Hz<br>dual (7 LW) |         |                             |
| DS5L1                                    | DD5L1   | 50      | 5 V <sub>cr</sub> @ 10 A    |
| DS5N1                                    | DD5N1   | 100     | 5 V <sub>cr</sub> @ 20 A    |
| DS5Q1                                    | DD5Q1   | 150     | 5 V <sub>cr</sub> @ 30 A    |
| DS6L1                                    | DD6L1   | 50      | 6.3 V <sub>cr</sub> @ 8 A   |
| DS6N1                                    | DD6N1   | 100     | 6.3 V <sub>cr</sub> @ 15 A  |
| DS6Q1                                    | DD6Q1   | 150     | 6.3 V <sub>cr</sub> @ 23 A  |
| DS10L1                                   | DD10L1  | 50      | 10 V <sub>cr</sub> @ 5 A    |
| DS10N1                                   | DD10N1  | 100     | 10 V <sub>cr</sub> @ 10 A   |
| DS10Q1                                   | DD10Q1  | 150     | 10 V <sub>cr</sub> @ 15 A   |
| DS10T1                                   | DD10T1  | 250     | 10 V <sub>cr</sub> @ 25 A   |
| DS12L1                                   | DD12L1  | 50      | 12.6 V <sub>cr</sub> @ 4 A  |
| DS12N1                                   | DD12N1  | 100     | 12.6 V <sub>cr</sub> @ 8 A  |
| DS12Q1                                   | DD12Q1  | 150     | 12.6 V <sub>cr</sub> @ 12 A |
| DS12T1                                   | DD12T1  | 250     | 12.6 V <sub>cr</sub> @ 20 A |
| DS12U1                                   | DD12U1  | 350     | 12.6 V <sub>cr</sub> @ 28 A |
| DS16L1                                   | DD16L1  | 50      | 16 V <sub>cr</sub> @ 3 A    |
| DS16N1                                   | DD16N1  | 100     | 16 V <sub>cr</sub> @ 6 A    |
| DS16Q1                                   | DD16Q1  | 150     | 16 V <sub>cr</sub> @ 9 A    |
| DS16T1                                   | DD16T1  | 250     | 16 V <sub>cr</sub> @ 15 A   |
| DS16U1                                   | DD16U1  | 350     | 16 V <sub>cr</sub> @ 21 A   |
| DS20L1                                   | DD20L1  | 50      | 20 V <sub>cr</sub> @ 2.5 A  |
| DS20N1                                   | DD20N1  | 100     | 20 V <sub>cr</sub> @ 5.0 A  |
| DS20Q1                                   | DD20Q1  | 150     | 20 V <sub>cr</sub> @ 7.5 A  |
| DS20T1                                   | DD20T1  | 250     | 20 V <sub>cr</sub> @ 12.5 A |
| DS20U1                                   | DD20U1  | 350     | 20 V <sub>cr</sub> @ 17 A   |
| DS20V1(A)                                | DD20V1(A)                                     | 500     | 20 V <sub>cr</sub> @ 25 A   |
| DS24L1                                   | DD24L1  | 50      | 24 V <sub>cr</sub> @ 2 A    |
| DS24N1                                   | DD24N1  | 100     | 24 V <sub>cr</sub> @ 4 A    |
| DS24Q1                                   | DD24Q1  | 150     | 24 V <sub>cr</sub> @ 6 A    |
| DS24T1                                   | DD24T1  | 250     | 24 V <sub>cr</sub> @ 10 A   |
| DS24U1                                   | DD24U1  | 350     | 24 V <sub>cr</sub> @ 14 A   |
| DS24V1(A)                                | DD24V1(A)                                     | 500     | 24 V <sub>cr</sub> @ 20 A   |
| DS36L1                                   | DD36L1  | 50      | 36 V <sub>cr</sub> @ 1.3 A  |
| DS36N1                                   | DD36N1  | 100     | 36 V <sub>cr</sub> @ 2.7 A  |
| DS36Q1                                   | DD36Q1  | 150     | 36 V <sub>cr</sub> @ 4.1 A  |
| DS36T1                                   | DD36T1  | 250     | 36 V <sub>cr</sub> @ 6.9 A  |
| DS36U1                                   | DD36U1  | 350     | 36 V <sub>cr</sub> @ 9.7 A  |
| DS36V1(A)                                | DD36V1(A)                                     | 500     | 36 V <sub>cr</sub> @ 13 A   |
| DS36W1                                   | DD36W1  | 750     | 36 V <sub>cr</sub> @ 20 A   |
| DS36X1                                   | DD36X1  | 1000    | 36 V <sub>cr</sub> @ 27 A   |
| DS48L1                                   | DD48L1  | 50      | 48 V <sub>cr</sub> @ 1.0 A  |
| DS48N1                                   | DD48N1  | 100     | 48 V <sub>cr</sub> @ 2.0 A  |
| DS48Q1                                   | DD48Q1  | 150     | 48 V <sub>cr</sub> @ 3.1 A  |
| DS48T1                                   | DD48T1  | 250     | 48 V <sub>cr</sub> @ 5.2 A  |
| DS48U1                                   | DD48U1  | 350     | 48 V <sub>cr</sub> @ 7.2 A  |
| DS48V1(A)                                | DD48V1(A)                                     | 500     | 48 V <sub>cr</sub> @ 10 A   |
| DS48W1                                   | DD48W1  | 750     | 48 V <sub>cr</sub> @ 15 A   |
| DS48X1                                   | DD48X1  | 1000    | 48 V <sub>cr</sub> @ 20 A   |
| DS120L1                                  | DD120L1                                       | 50      | 120 V <sub>cr</sub> @ 0.4 A |
| DS120N1                                  | DD120N1                                       | 100     | 120 V <sub>cr</sub> @ 0.8 A |
| DS120Q1                                  | DD120Q1                                       | 150     | 120 V <sub>cr</sub> @ 1.2 A |
| DS120T1                                  | DD120T1                                       | 250     | 120 V <sub>cr</sub> @ 2.0 A |
| DS120U1                                  | DD120U1                                       | 350     | 120 V <sub>cr</sub> @ 2.9 A |
| DS120V1(A)                               | DD120V1(A)                                    | 500     | 120 V <sub>cr</sub> @ 4.1 A |
| DS120W1                                  | DD120W1                                       | 750     | 120 V <sub>cr</sub> @ 6.2 A |
| DS120X1                                  | DD120X1                                       | 1000    | 120 V <sub>cr</sub> @ 8.3 A |

| VA Size | A    | B     | C    | D    | E    | F    | G           | lbs   |
|---------|------|-------|------|------|------|------|-------------|-------|
| 50      | 3.00 | 2.38  | 2.61 | 2.50 | 2.00 | 2.63 | .221 x .375 | 2.3   |
| 100     | 3.00 | 3.13  | 2.61 | 2.50 | 3.00 | 3.63 | .221 x .375 | 3.8   |
| 150     | 3.75 | 2.88  | 3.23 | 3.13 | 2.25 | 2.88 | .221 x .375 | 4.7   |
| 250     | 4.50 | 3.38  | 3.86 | 3.75 | 2.50 | 4.00 | .221 x .375 | 8.0   |
| 350     | 4.50 | 4.38  | 3.86 | 3.75 | 3.50 | 5.00 | .221 x .375 | 12.0  |
| 500     | 4.50 | 5.38  | 3.86 | 3.75 | 4.62 | 5.75 | .281 x .625 | 17.0  |
| 500 (A) | 5.25 | 4.25  | 4.48 | 4.38 | 3.50 | 4.75 | .312 x .687 | 15.0  |
| 750     | 5.25 | 5.35  | 4.48 | 4.38 | 4.50 | 5.75 | .312 x .687 | 20.0  |
| 1k      | 5.25 | 6.25  | 4.48 | 4.38 | 5.50 | 6.75 | .312 x .687 | 25.0  |
| 3k      | 8.82 | 8.50* | 6.38 | 6.25 | 5.00 | 6.25 | .375 x .750 | 63.0  |
| 5k      | 9.00 | 10.0* | 8.13 | 6.00 | 6.50 | 7.75 | .375 x .687 | 120.0 |

All dimensions are in inches

\*Add 1.5" per side for copper tabs (on 3 kVA and 5 kVA).