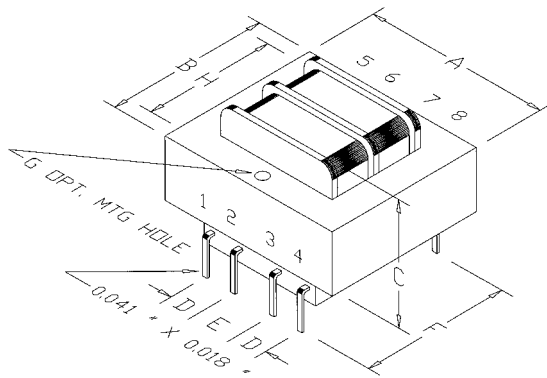
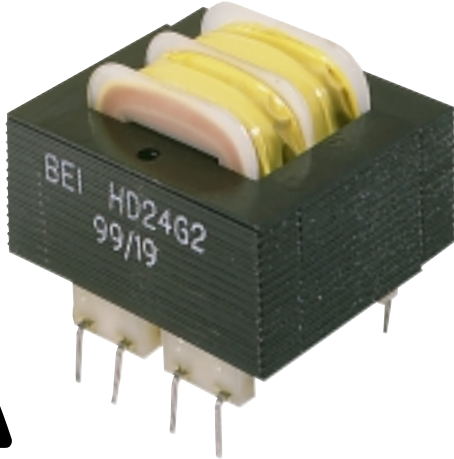
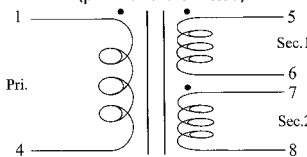


- VA size models available from 1.1 to 36 VA.
- Horizontal mounting, industry std P.C. board layout.
- Split bobbin design.
- Single or dual primary voltages.

- Class B insulation – 130 °C.
- CSA approved (LR63462) and UL recognized (E193917).
- Series/parallel secondary winding on all.
- Other primary and secondary voltages available.

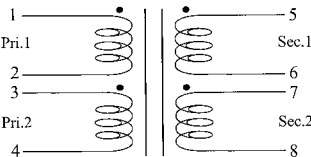

HS

Single primary

 115V 50/60Hz
(pin 2 and 3 omitted)

HD

Dual primary

115/230V 50/60Hz



Primary		Size VA	Secondary (RMS)	
HS Cat. No 115V 50/60Hz single (6 pins)	HD Cat. No 115/230V 50/60Hz dual (8 pins)		Series	Parallel
HS10D2	HD10D2	1.1	10 V _{CT} @ .11 A	5 V @ .22 A
HS10E2	HD10E2	2.4	10 V _{CT} @ .25 A	5 V @ .50 A
HS10F2	HD10F2	6.0	10 V _{CT} @ .60 A	5 V @ 1.2 A
HS10G2	HD10G2	12.0	10 V _{CT} @ 1.2 A	5 V @ 2.4 A
HS10H2	HD10H2	20.0	10 V _{CT} @ 2.0 A	5 V @ 4.0 A
HS10K2	HD10K2	36.0	10 V _{CT} @ 3.6 A	5 V @ 7.2 A
HS12D2	HD12D2	1.1	12.6 V _{CT} @ .09 A	6.3 V @ .18 A
HS12E2	HD12E2	2.4	12.6 V _{CT} @ .20 A	6.3 V @ .40 A
HS12F2	HD12F2	6.0	12.6 V _{CT} @ .50 A	6.3 V @ 1.0 A
HS12G2	HD12G2	12.0	12.6 V _{CT} @ 1.0 A	6.3 V @ 2.0 A
HS12H2	HD12H2	20.0	12.6 V _{CT} @ 1.6 A	6.3 V @ 3.2 A
HS12K2	HD12K2	36.0	12.6 V _{CT} @ 2.85 A	6.3 V @ 5.7 A
HS16D2	HD16D2	1.1	16 V _{CT} @ .07 A	8 V @ .14 A
HS16E2	HD16E2	2.4	16 V _{CT} @ .15 A	8 V @ .30 A
HS16F2	HD16F2	6.0	16 V _{CT} @ .40 A	8 V @ .80 A
HS16G2	HD16G2	12.0	16 V _{CT} @ .80 A	8 V @ 1.6 A
HS16H2	HD16H2	20.0	16 V _{CT} @ 1.25 A	8 V @ 2.5 A
HS16K2	HD16K2	36.0	16 V _{CT} @ 2.25 A	8 V @ 4.5 A
HS20D2	HD20D2	1.1	20 V _{CT} @ .055 A	10 V @ .11 A
HS20E2	HD20E2	2.4	20 V _{CT} @ .12 A	10 V @ .24 A
HS20F2	HD20F2	6.0	20 V _{CT} @ .30 A	10 V @ .60 A
HS20G2	HD20G2	12.0	20 V _{CT} @ .60 A	10 V @ 1.2 A
HS20H2	HD20H2	20.0	20 V _{CT} @ 1.0 A	10 V @ 2.0 A
HS20K2	HD20K2	36.0	20 V _{CT} @ 1.8 A	10 V @ 3.6 A
HS24D2	HD24D2	1.1	24 V _{CT} @ .045 A	12 V @ .09 A
HS24E2	HD24E2	2.4	24 V _{CT} @ .10 A	12 V @ .20 A
HS24F2	HD24F2	6.0	24 V _{CT} @ .25 A	12 V @ .50 A
HS24G2	HD24G2	12.0	24 V _{CT} @ .50 A	12 V @ 1.0 A
HS24H2	HD24H2	20.0	24 V _{CT} @ .80 A	12 V @ 1.6 A
HS24K2	HD24K2	36.0	24 V _{CT} @ 1.5 A	12 V @ 3.0 A
HS28D2	HD28D2	1.1	28 V _{CT} @ .04 A	14 V @ .08 A
HS28E2	HD28E2	2.4	28 V _{CT} @ .085 A	14 V @ .17 A
HS28F2	HD28F2	6.0	28 V _{CT} @ .20 A	14 V @ .40 A
HS28G2	HD28G2	12.0	28 V _{CT} @ .42 A	14 V @ .84 A
HS28H2	HD28H2	20.0	28 V _{CT} @ .70 A	14 V @ 1.4 A
HS28K2	HD28K2	36.0	28 V _{CT} @ 1.3 A	14 V @ 2.6 A
HS36D2	HD36D2	1.1	36 V _{CT} @ .03 A	18 V @ .06 A
HS36E2	HD36E2	2.4	36 V _{CT} @ .065 A	18 V @ .13 A
HS36F2	HD36F2	6.0	36 V _{CT} @ .17 A	18 V @ .34 A
HS36G2	HD36G2	12.0	36 V _{CT} @ .35 A	18 V @ .70 A
HS36H2	HD36H2	20.0	36 V _{CT} @ .55 A	18 V @ 1.1 A
HS36K2	HD36K2	36.0	36 V _{CT} @ 1.0 A	18 V @ 2.0 A
HS48D2	HD48D2	1.1	48 V _{CT} @ .023 A	24 V @ .046 A
HS48E2	HD48E2	2.4	48 V _{CT} @ .05 A	24 V @ .10 A
HS48F2	HD48F2	6.0	48 V _{CT} @ .125 A	24 V @ .25 A
HS48G2	HD48G2	12.0	48 V _{CT} @ .25 A	24 V @ .50 A
HS48H2	HD48H2	20.0	48 V _{CT} @ .40 A	24 V @ .80 A
HS48K2	HD48K2	36.0	48 V _{CT} @ .75 A	24 V @ 1.5 A
HS56D2	HD56D2	1.1	56 V _{CT} @ .02 A	28 V @ .04 A
HS56E2	HD56E2	2.4	56 V _{CT} @ .045 A	28 V @ .09 A
HS56F2	HD56F2	6.0	56 V _{CT} @ .11 A	28 V @ .22 A
HS56G2	HD56G2	12.0	56 V _{CT} @ .22 A	28 V @ .44 A
HS56H2	HD56H2	20.0	56 V _{CT} @ .35 A	28 V @ .70 A
HS56K2	HD56K2	36.0	56 V _{CT} @ .65 A	28 V @ 1.3 A
HS120D2	HD120D2	1.1	120 V _{CT} @ .01 A	60 V @ .02 A
HS120E2	HD120E2	2.4	120 V _{CT} @ .02 A	60 V @ .04 A
HS120F2	HD120F2	6.0	120 V _{CT} @ .05 A	60 V @ .10 A
HS120G2	HD120G2	12.0	120 V _{CT} @ .10 A	60 V @ .20 A
HS120H2	HD120H2	20.0	120 V _{CT} @ .16 A	60 V @ .32 A
HS120K2	HD120K2	36.0	120 V _{CT} @ .30 A	60 V @ .60 A

VA Size	A	B	C	D	E	F	H	lbs
1.1	1.38	1.13	0.94	.25	.25	1.20	-	0.17
2.4	1.38	1.13	1.19	.25	.25	1.20	-	0.25
6.0	1.63	1.31	1.31	.25	.35	1.28	1.06	0.44
12.0	1.88	1.56	1.44	.30	.40	1.41	1.25	0.70
20.0	2.25	1.88	1.44	.30	.40	1.60	1.50	0.80
36.0	2.63	2.19	1.56	.40	.40	1.85	2.19 x 1.75	1.10

All dimensions are in inches

36 VA size has 4 mounting holes in 4 corners.