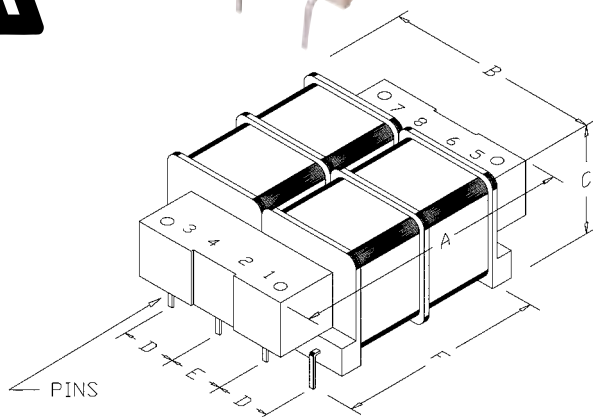
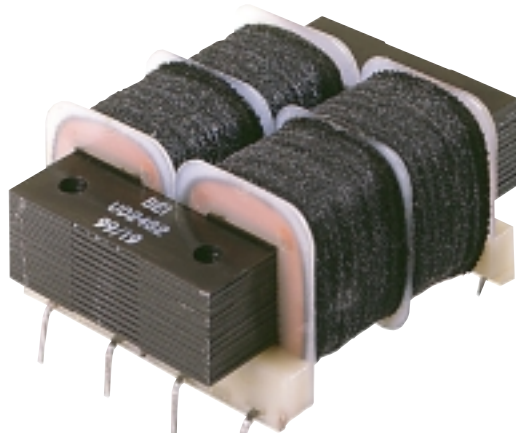
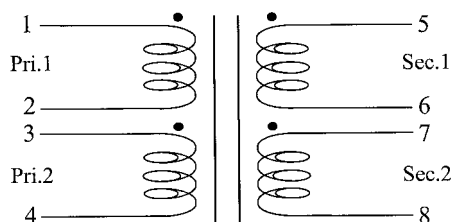


- VA size models available from 2 to 48 VA.
- Industry standard P.C. board layout.
- Split bobbin design.
- Dual primary voltages.
- Class B insulation – 130 °C.
- CSA approved (LR63462) and UL recognized (E193917).
- Series/parallel secondary winding on all.
- Other primary and secondary voltages available.



DUAL PRIMARY

115/230V 50/60Hz



Primary UD Cat. No 115/230V 50/60Hz dual (8 pins)	Size VA	Secondary (RMS)	
		Series	Parallel
UD10E2	2	10 V _{eff} @ .25 A	5 V @ .50 A
UD10F2	6	10 V _{eff} @ .60 A	5 V @ 1.2 A
UD10G2	12	10 V _{eff} @ 1.2 A	5 V @ 2.4 A
UD10H2	24	10 V _{eff} @ 2.4 A	5 V @ 4.8 A
UD10L2	48	10 V _{eff} @ 4.8 A	5 V @ 9.6 A
UD12E2	2	12.6 V _{eff} @ .20 A	6.3 V @ .40 A
UD12F2	6	12.6 V _{eff} @ .45 A	6.3 V @ .90 A
UD12G2	12	12.6 V _{eff} @ .90 A	6.3 V @ 1.8 A
UD12H2	24	12.6 V _{eff} @ 1.9 A	6.3 V @ 3.8 A
UD12L2	48	12.6 V _{eff} @ 3.8 A	6.3 V @ 7.6 A
UD16E2	2	16 V _{eff} @ .15 A	8 V @ .30 A
UD16F2	6	16 V _{eff} @ .35 A	8 V @ .70 A
UD16G2	12	16 V _{eff} @ .70 A	8 V @ 1.4 A
UD16H2	24	16 V _{eff} @ 1.5 A	8 V @ 3.0 A
UD16L2	48	16 V _{eff} @ 3.0 A	8 V @ 6.0 A
UD20E2	2	20 V _{eff} @ .125 A	10 V @ .25 A
UD20F2	6	20 V _{eff} @ .30 A	10 V @ .60 A
UD20G2	12	20 V _{eff} @ .60 A	10 V @ 1.2 A
UD20H2	24	20 V _{eff} @ 1.2 A	10 V @ 2.4 A
UD20L2	48	20 V _{eff} @ 2.4 A	10 V @ 4.8 A
UD24E2	2	24 V _{eff} @ .10 A	12 V @ .20 A
UD24F2	6	24 V _{eff} @ .25 A	12 V @ .50 A
UD24G2	12	24 V _{eff} @ .50 A	12 V @ 1.0 A
UD24H2	24	24 V _{eff} @ 1.0 A	12 V @ 2.0 A
UD24L2	48	24 V _{eff} @ 2.0 A	12 V @ 4.0 A
UD30E2	2	30 V _{eff} @ .085 A	15 V @ .17 A
UD30F2	6	30 V _{eff} @ .20 A	15 V @ .40 A
UD30G2	12	30 V _{eff} @ .40 A	15 V @ .80 A
UD30H2	24	30 V _{eff} @ .80 A	15 V @ 1.6 A
UD30L2	48	30 V _{eff} @ 1.6 A	15 V @ 3.2 A
UD34E2	2	34 V _{eff} @ .075 A	17 V @ .15 A
UD34F2	6	34 V _{eff} @ .17 A	17 V @ .34 A
UD34G2	12	34 V _{eff} @ .34 A	17 V @ .68 A
UD34H2	24	34 V _{eff} @ .70 A	17 V @ 1.4 A
UD34L2	48	34 V _{eff} @ 1.4 A	17 V @ 2.8 A
UD40E2	2	40 V _{eff} @ .06 A	20 V @ .12 A
UD40F2	6	40 V _{eff} @ .15 A	20 V @ .30 A
UD40G2	12	40 V _{eff} @ .30 A	20 V @ .60 A
UD40H2	24	40 V _{eff} @ .60 A	20 V @ 1.2 A
UD40L2	48	40 V _{eff} @ 1.2 A	20 V @ 2.4 A
UD56E2	2	56 V _{eff} @ .045 A	28 V @ .09 A
UD56F2	6	56 V _{eff} @ .10 A	28 V @ .20 A
UD56G2	12	56 V _{eff} @ .20 A	28 V @ .40 A
UD56H2	24	56 V _{eff} @ .45 A	28 V @ .85 A
UD56L2	48	56 V _{eff} @ .85 A	28 V @ 1.7 A
UD88E2	2	88 V _{eff} @ .028 A	44 V @ .056 A
UD88F2	6	88 V _{eff} @ .065 A	44 V @ .130 A
UD88G2	12	88 V _{eff} @ .130 A	44 V @ .260 A
UD120E2	2	120 V _{eff} @ .020 A	60 V @ .040 A
UD120F2	6	120 V _{eff} @ .050 A	60 V @ .100 A
UD120G2	12	120 V _{eff} @ .100 A	60 V @ .200 A
UD230E2	2	230 V _{eff} @ .010 A	115 V @ .020 A
UD230F2	6	230 V _{eff} @ .025 A	115 V @ .050 A
UD230G2	12	230 V _{eff} @ .050 A	115 V @ .100 A

VA Size	P.C. Card Spacing	A	B	C	D	E	F	Pins	lbs
2	0.75	1.88	1.56	0.65	0.38	0.38	1.60	0.041 x 0.018	0.32
6	1.00	1.88	1.56	0.85	0.38	0.38	1.60	0.041 x 0.018	0.44
12	1.25	2.50	2.00	1.07	0.50	0.50	2.00	0.041 x 0.018	0.69
24	1.50	2.87	2.25	1.25	0.60	0.53	1.90	0.040 sq	0.94
48	1.50	3.12	2.50	1.38	0.60	0.66	2.18	0.040 sq	1.31

All dimensions are in inches